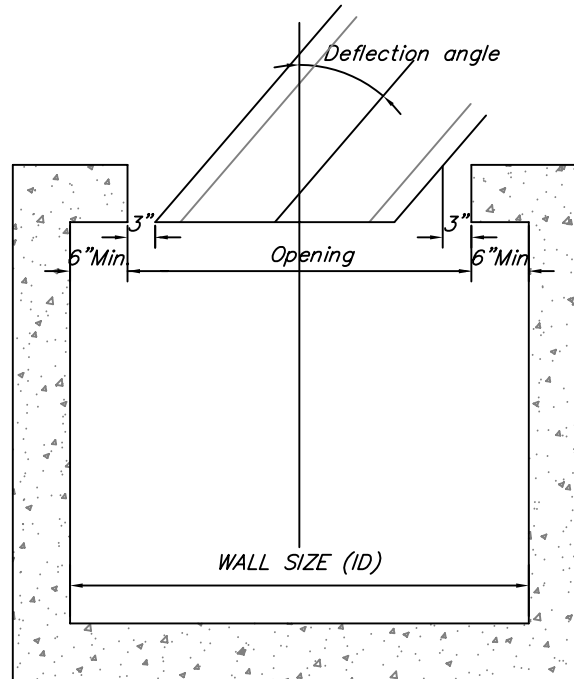


Inlet Sizing Chart Based on Pipe Deflection Angle

DEFLECTION		0°	5°	10°	15°	20°	25°	30°	35°	40°	45°	50°	55°	60°
PIPE SIZE	RCP OD	WALL SIZE (RCP)	WALL SIZE (RCP)	WALL SIZE (RCP)	WALL SIZE (RCP)	WALL SIZE (RCP)	WALL SIZE (RCP)	WALL SIZE (RCP)	WALL SIZE (RCP)	WALL SIZE (RCP)	WALL SIZE (RCP)	WALL SIZE (RCP)	WALL SIZE (RCP)	WALL SIZE (RCP)
15	20	48	48	48	48	48	48	48	48	51	55	60	66	74
18	23	48	48	48	48	48	48	48	52	55	59	64	71	80
24	30	48	49	50	51	52	55	57	60	64	69	75	83	94
30	37	55	56	57	58	60	62	65	69	73	79	86	96	108
36	44	62	63	64	65	67	70	73	77	82	89	97	108	122
42	51	69	70	71	73	75	78	81	86	91	99	108	120	136
48	58	76	77	78	80	82	85	89	94	101	109	119	132	150
54	65	83	84	85	87	90	93	97	103	110	118	130	144	164
60	72	90	91	92	94	97	101	106	111	119	128	141	157	178
66	79	97	98	99	102	105	109	114	120	128	138	151	169	192
72	86	104	105	106	109	112	116	122	129	137	148	162	181	206
78	93	111	112	114	116	120	124	130	137	146	158	173	193	220
84	100	118	119	121	123	127	132	138	146	155	168	184	205	234
96	114	132	133	135	138	142	147	154	163	174	188	206	230	262



NOTE:

For grouted pipe applications, this chart will assist in determining the minimum inside wall width required for pipe of a specific size, material and deflection angle.

The wall thickness assumed for this table are:

Pipe: ASTM C76 - "Wall B"

Structure: 6 inches



CITY OF OVERLAND PARK
ENGINEERING SERVICES

ESC DETAILS

PIPE DIMENSION