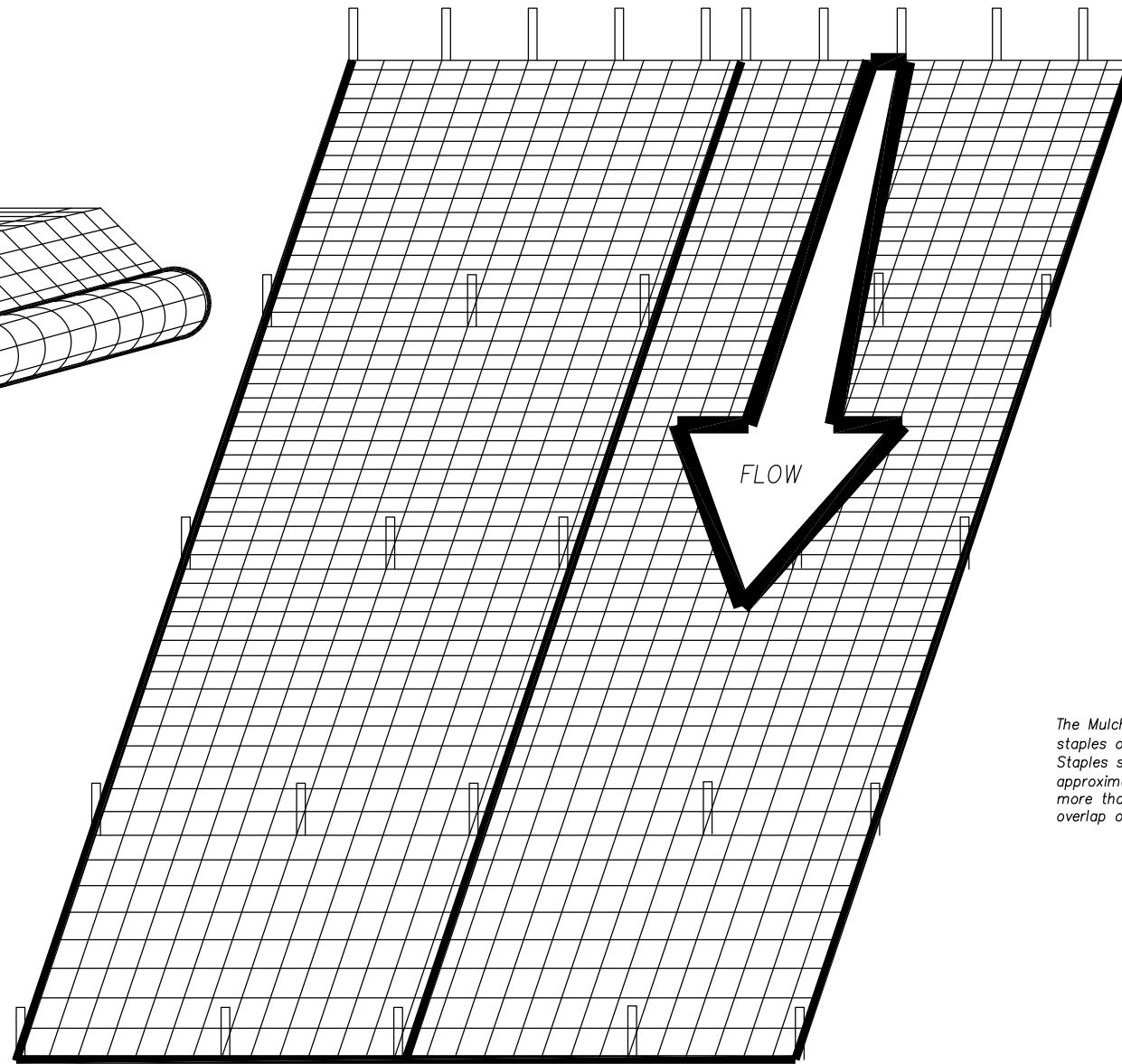
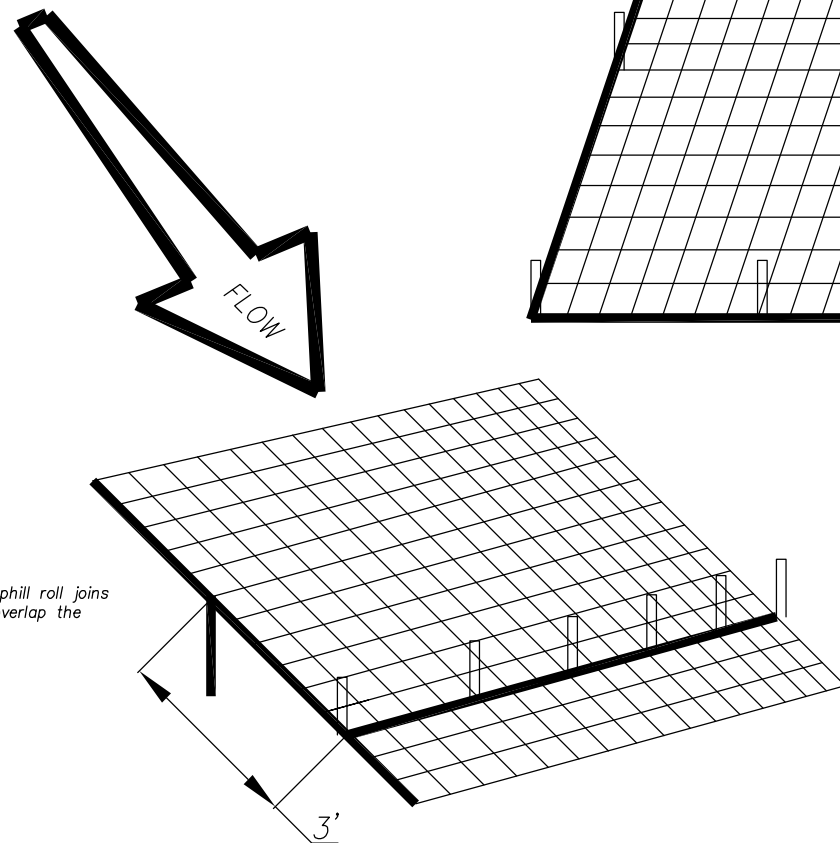


Apply Mulch Control Netting after site preparation and seeding (if any). Anchor matting in an 8" trench, backfilled and tamped, at top of slope. Extend mulch netting 3' past top & bottom of slope, and 1' at the sides of the mulched or seeded area. Mulch netting shall be placed from top of slope to the bottom of slope and shall follow the direction of water flow.



The Mulch Control Netting shall be secured by "U" shaped biodegradable staples or stakes per manufacturer's recommendations. Staples shall be driven perpendicularly to the slope face, placed approximately 3' apart down the sides and center of the roll and not more than 1 ft. apart at the upper end of the roll or the end of the overlap of 2 rolls.



Provide at least a 3' overlap when the uphill roll joins to a downhill roll. The uphill roll should overlap the downhill roll.

Overlap the sides of rolls at least 4".

- NOTE:
- Mulch Control Netting to be biodegradable with 2" by 2" maximum openings.
  - Extend netting beyond the edge of mulch area at least 1' at the sides and 3' at the top & bottom.

NOTE TO DESIGN PROFESSIONAL:

This supplemental detail has been prepared by the City of Overland Park Planning Department solely for the convenience of registered design professionals. The City disclaims all warranties and representations of any kind, expressed or implied, with regard to this supplemental detail, including but not limited to, any warranty related to the fitness for a particular purpose.

The design professional assumes all responsibility for verification that this supplemental design detail is suitable for use on any specific construction plan. By incorporation of this supplemental design detail into a construction plan, the design professional certifies that they have determined that this supplemental design detail is suitable for use on their specific construction plan.

Year 2013 Edition

REVISIONS:	
5/20/2011	
12/1/2012	
RELATED ORDINANCES:	
OPMC Title 15	



PLANNING DEPARTMENT  
SUPPLEMENTAL DETAILS

MULCH RETENTION NETTING