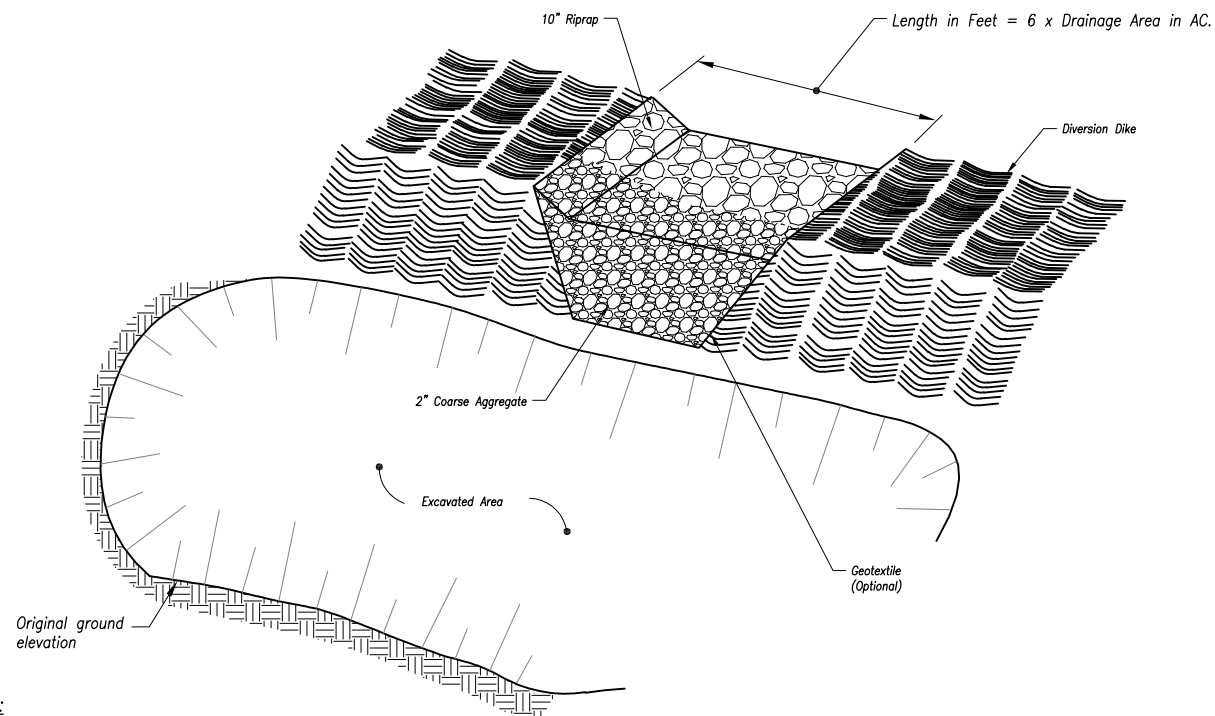


(*) Cross Section of Outlet
Not to Scale



(*) Perspective View of Outlet
Not to Scale

(*) - The perspective view and cross section are schematic in nature. Construction plans must provide specific site construction arrangements.

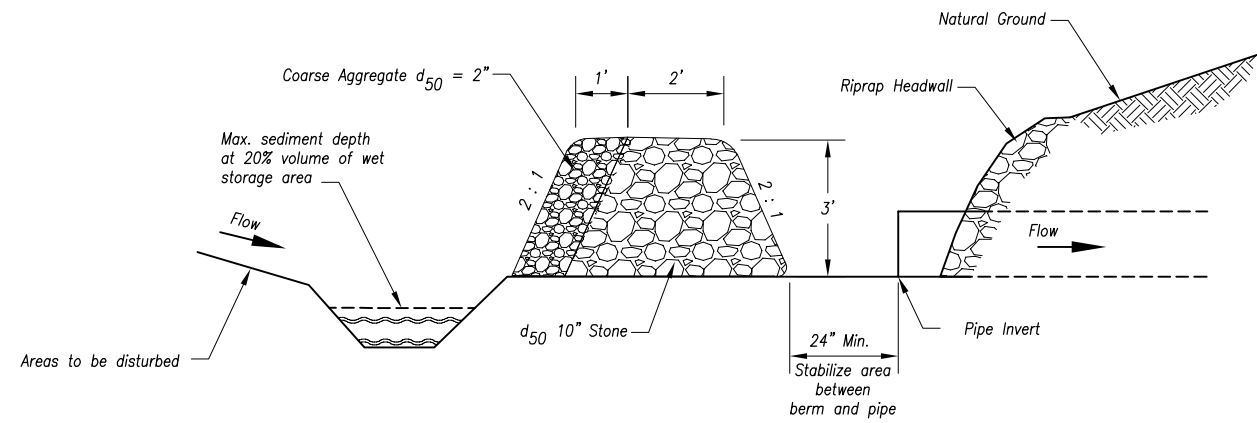
Maintenance:

Check sediment traps after periods of significant runoff. Remove sediment and restore the trap to its original dimensions when sediment accumulates to 20% of the storage capacity. Immediately repair any erosion damage to the embankment and outlet. Keep outlet and pool area free of all trash and other debris.

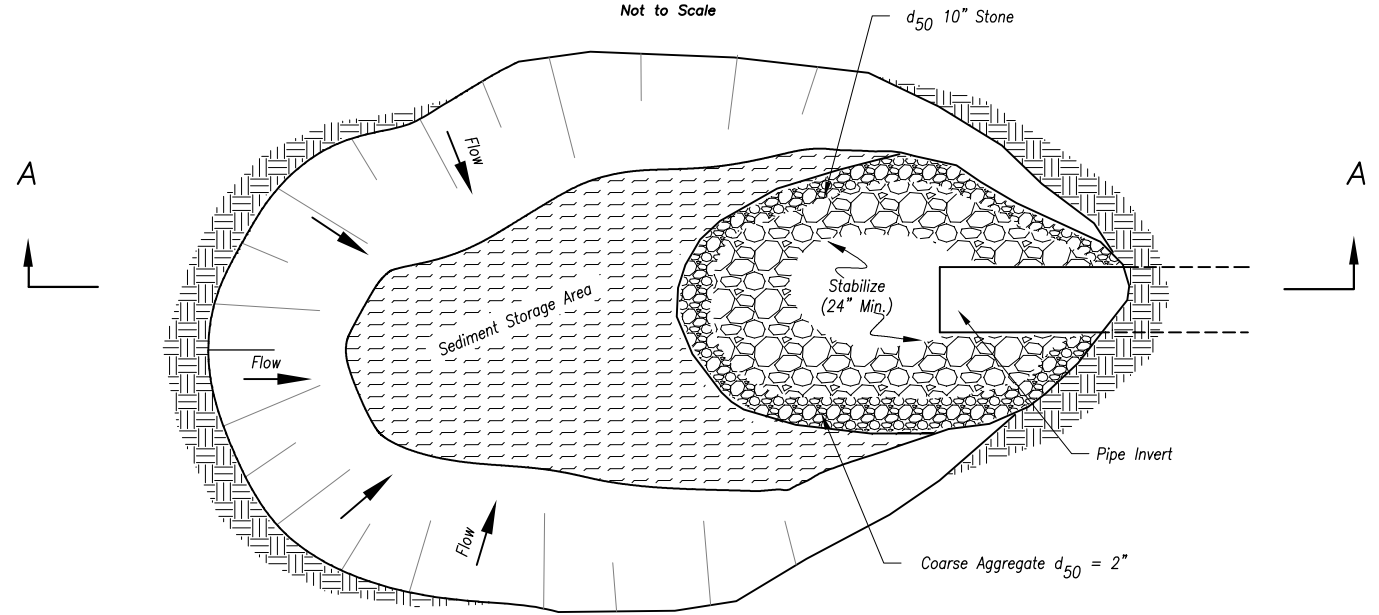
Notes:

- Overland Park Municipal Code (OPMC) and Overland Park Design and Construction Standards Manual (OPDCSM) are incorporated, except as otherwise noted.
- The area under the embankment shall be cleared, grubbed, and stripped of any vegetation and root mat.
- Fill material for the embankment shall be free of roots or other woody vegetation, organic material, large stones, and other objectionable material. The embankment should be compacted in 6-inch layers by traversing with construction equipment.
- The earthen embankment shall be stabilized immediately after installation.
- Construction operations shall be carried out to minimize erosion and water pollution.
- The structure shall be removed and the area stabilized when the upslope drainage area has been stabilized.
- All cut and fill slopes shall be 2H : 1V or flatter, except for excavated, wet storage areas which may be at a maximum 1H : 1V grade.

TEMPORARY SEDIMENT TRAP



Section A-A
Not to Scale



Plan View
Not to Scale

Notes:

- Overland Park Municipal Code (OPMC) and Overland Park Design and Construction Standards Manual (OPDCSM) are incorporated, except as otherwise noted.
- The inlet protection device shall be constructed in a manner that will facilitate clean-out and disposal of trapped sediment and minimize interference with construction activities.
- The inlet protection devices shall be constructed in such manner that any resultant ponding stormwater will not cause excessive inconvenience or damage to adjacent areas or structures.
- Geometry of the design will be a horseshoe shape around the culvert inlet.
- The toe of the riprap shall be no closer than 24" from the culvert opening to provide an acceptable emergency outlet for flows from larger storm events.
- Storage requirements equivalent to that of temporary sediment trap.
- 67 C.Y./Acre wet storage below base of stone.
- 67 C.Y./Acre dry storage from base of stone to top of stone berm.

Maintenance:

Check sediment traps after periods of significant runoff. Remove sediment and restore the trap to its original dimensions when sediment accumulates to 20% of the storage capacity. Immediately repair any erosion damage to the embankment and outlet. Keep outlet and pool area free of all trash and other debris.

CULVERT INLET SEDIMENT TRAP

REVISIONS:	
RELATED ORDINANCES:	
OPMC Title 15	

Year 2019 Edition

OVERLAND PARK
KANSAS
ABOVE AND BEYOND. BY DESIGN.

DEPARTMENT OF PUBLIC WORKS
STANDARD DETAILS

TEMPORARY SEDIMENT TRAP