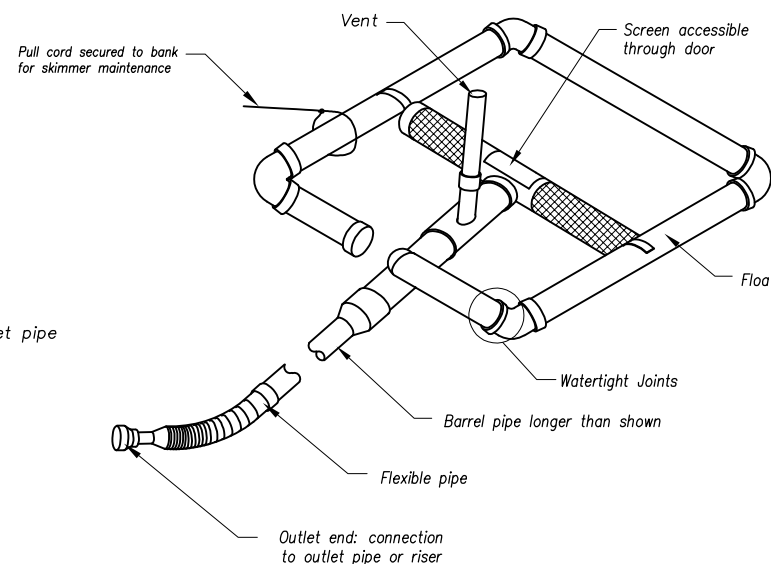
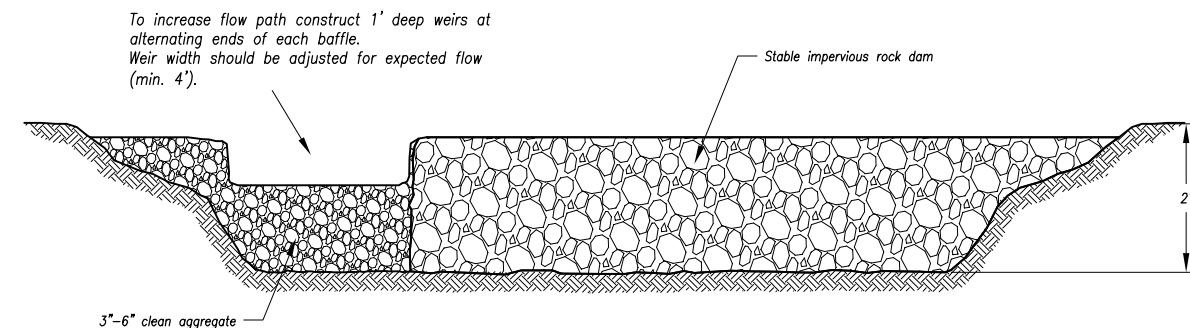


PRINCIPAL SPILLWAY DETAIL

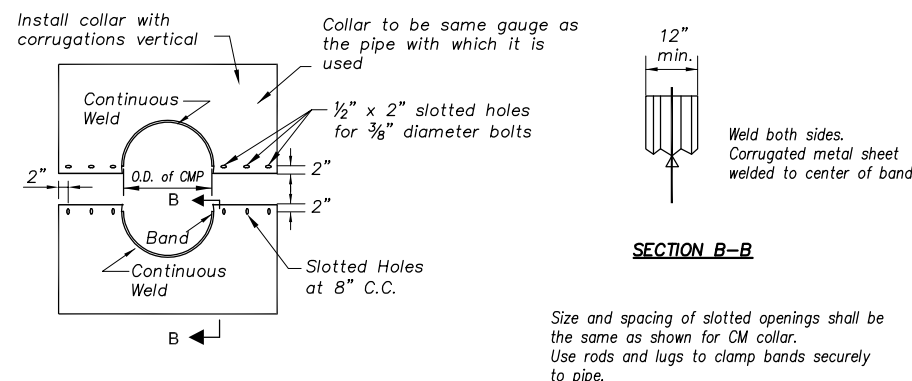


SKIMMER DETAIL (Typ.) *

* Designer to provide specific details per application (e.g. pipe sizes, screen sizes, perforation, etc.) as required.

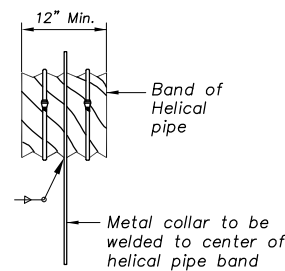


Option A - Rock with Weir



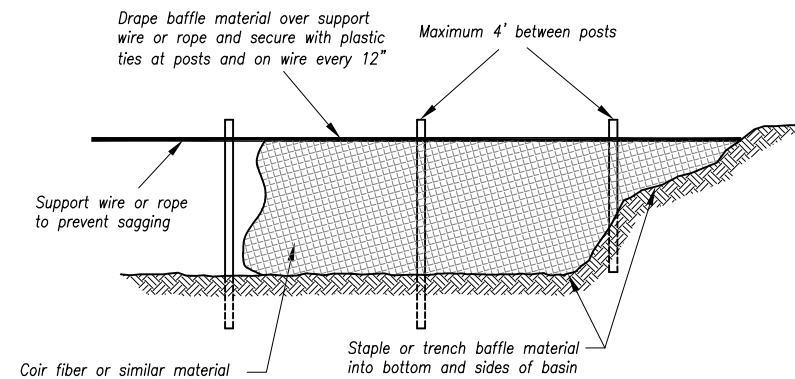
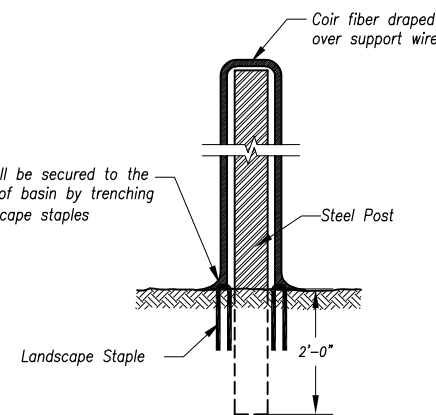
SECTION B-B

Size and spacing of slotted openings shall be the same as shown for CM collar. Use rods and lugs to clamp bands securely to pipe.



PARTIAL ELEVATION

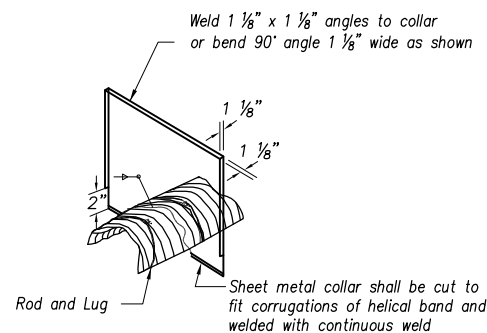
Baffle material shall be secured to the bottom and sides of basin by trenching or using 12" landscape staples



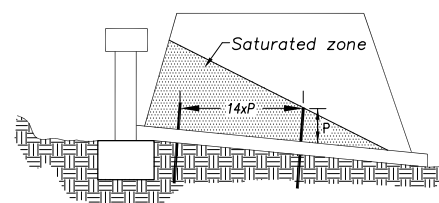
Option B - Coir Fiber Material

BAFFLE DETAILS

Not to Scale



ISOMETRIC VIEW



ANTI-SEEPAGE COLLAR LOCATIONS

CORRUGATED METAL ANTI-SEEPAGE COLLAR DETAIL

Not to Scale

Anti-Seepage Collar Notes:

- Connections between the anti-seepage collar and the barrel must be watertight.
- P = projection distance. Sized as required to achieve at least a 10% increase in seepage length.
- 14xP = Max. spacing between collars.
- Collars shall generally be placed in the middle third of the embankment, and within the saturated zone.
- All materials to be in accordance with construction material specifications.
- When specified on the plans, coating of collars shall be in accordance with construction material specifications.
- Unassembled collars shall be marked by painting or tagging to identify matching pairs.
- The lap between the two half sections and between the pipe and connecting band shall be caulked with asphalt mastic at the time of installation.
- Each collar shall be furnished with two (2) 1/2" diameter rods with standard tank lugs for connecting the collars to the pipe.
- For bands and collars, modification of the details shown may be used providing equal water tightness is maintained and detailed drawings are Submitted and approved by the Engineer prior to delivery.
- Two other types of anti-seep collars are:
 - Corrugated metal, similar to above, except shop welded to a 4 ft. section of the pipe and connected to the pipe with connecting bands.
 - Concrete, 6 inches thick, formed around the pipe with #3 rebar spaced 15".

Year 2019 Edition

REVISIONS:	
Feb. 2007	Miscellaneous;
Jan. 2009	Miscellaneous;
Feb. 2011	Perforated Riser option removed;
RELATED ORDINANCES:	
OPMC Title 15	

OVERLAND PARK
KANSAS
ABOVE AND BEYOND. BY DESIGN.

DEPARTMENT OF PUBLIC WORKS
STANDARD DETAILS

TEMPORARY SEDIMENT BASIN