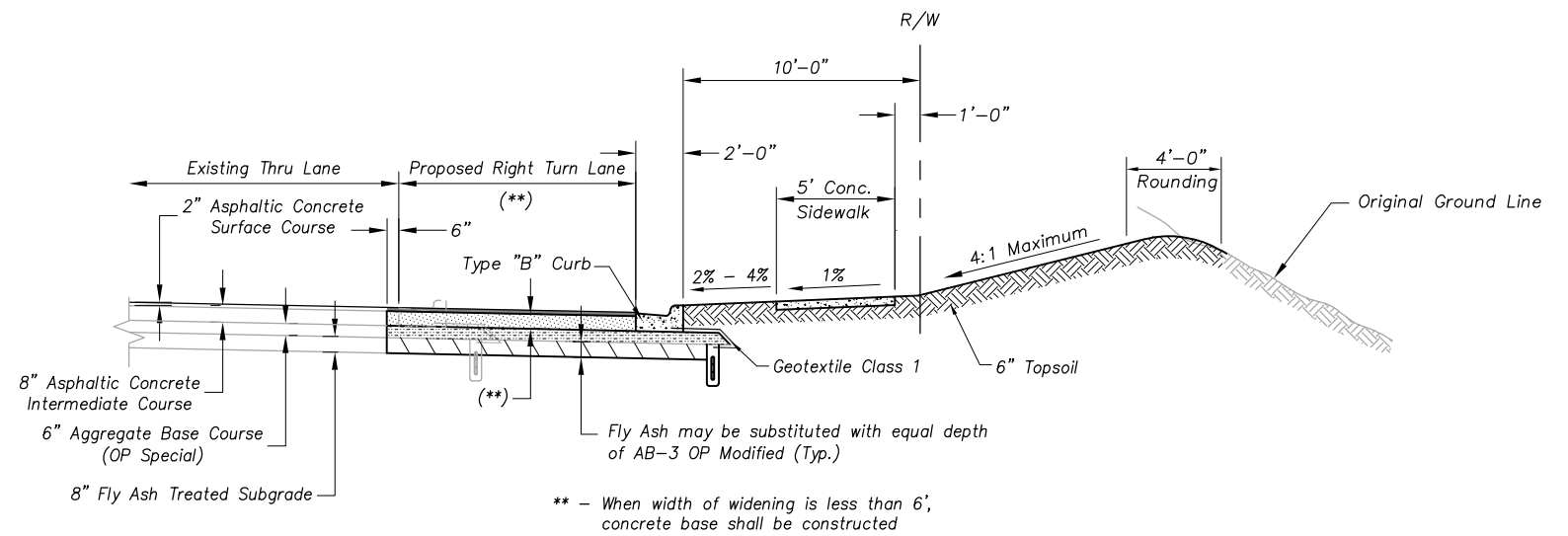


* - Connect to existing underdrain to ensure continuous underdrain system

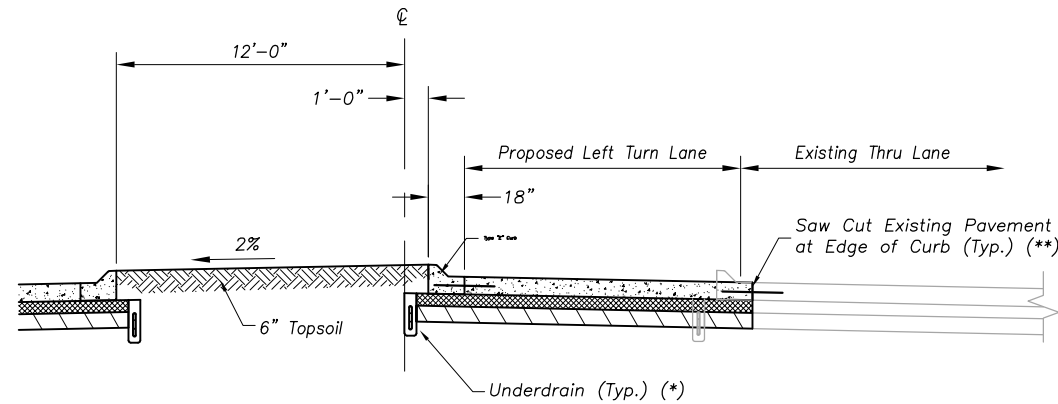
Typical Left Turn Lane Construction



** - When width of widening is less than 6', concrete base shall be constructed

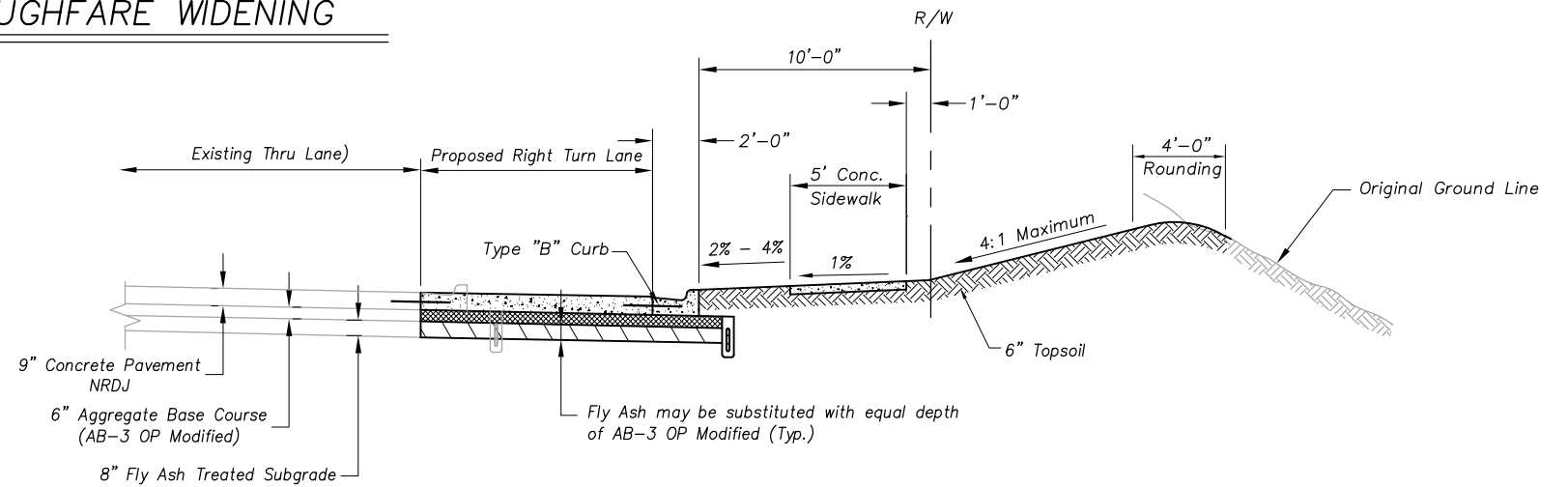
Typical Right Turn Lane Construction

ASPHALT THOROUGHFARE WIDENING



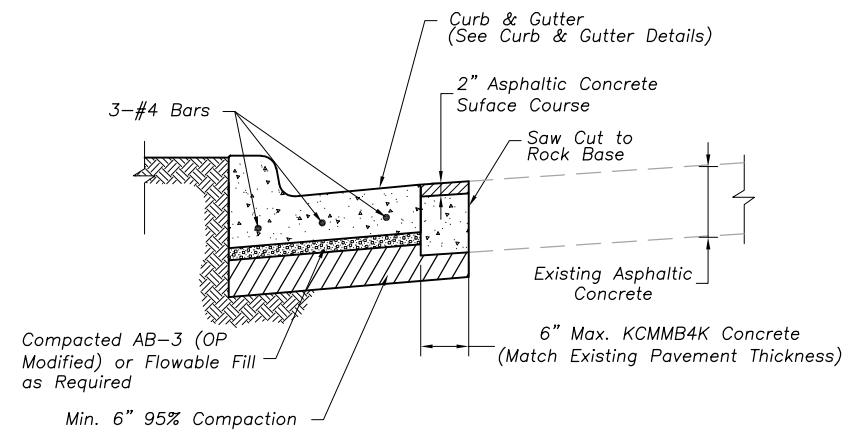
* - Connect to existing underdrain to ensure continuous underdrain system
 ** - Refer to Concrete Joint Layout detail for construction joint requirements

Typical Left Turn Lane Construction



Typical Right Turn Lane Construction

CONCRETE THOROUGHFARE WIDENING

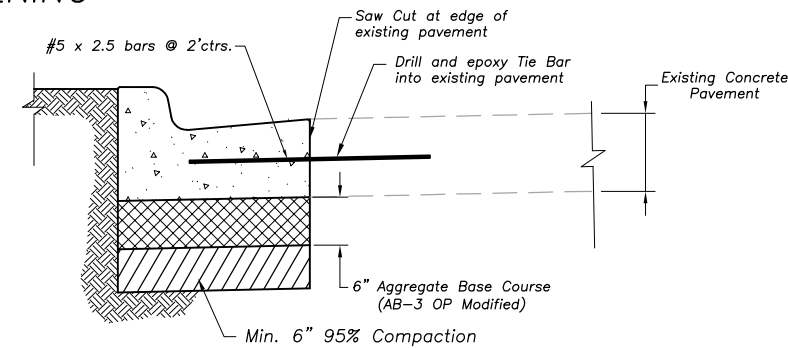


Asphalt Roadway

Curb Replacement Notes:

1. Overland Park Municipal Code (OPMC) and Overland Park Design and Construction Standards Manual (OPDCSM) are incorporated, except as otherwise noted.
2. 1/2" premolded expansion joints shall be placed at points of curvature, curb returns, curb inlets, and at 250' centers. The expansion joints, except @ curb returns and curb inlets, shall be sealed in accordance with OPDCSM. Contraction joints shall be 2" deep, and placed at 15' intervals equally spaced between expansion joints.
3. Concrete used in this work shall be KCMMB4K and shall meet the requirements of the OPMC.

CURB REPLACEMENT



Concrete Roadway

Curb Replacement Notes:

1. Overland Park Municipal Code (OPMC) and Overland Park Design and Construction Standards Manual (OPDCSM) are incorporated, except as otherwise noted.
2. Curb joints shall match existing pavement joints.
3. Concrete used in this work shall be KCMMB4K and shall meet the requirements of the OPMC.

REVISIONS:	
05/20/03	Notes
07/01/03	Concrete Mix Designation
Jan. 2006	Miscellaneous
Feb. 2008	OPMC Reference
RELATED ORDINANCES:	
OPMC Title 13	

Year 2019 Edition

OVERLAND PARK
KANSAS

ABOVE AND BEYOND. BY DESIGN.

DEPARTMENT OF PUBLIC WORKS
STANDARD DETAILS

THOROUGHFARE WIDENING
AND CURB REPLACEMENT DETAILS