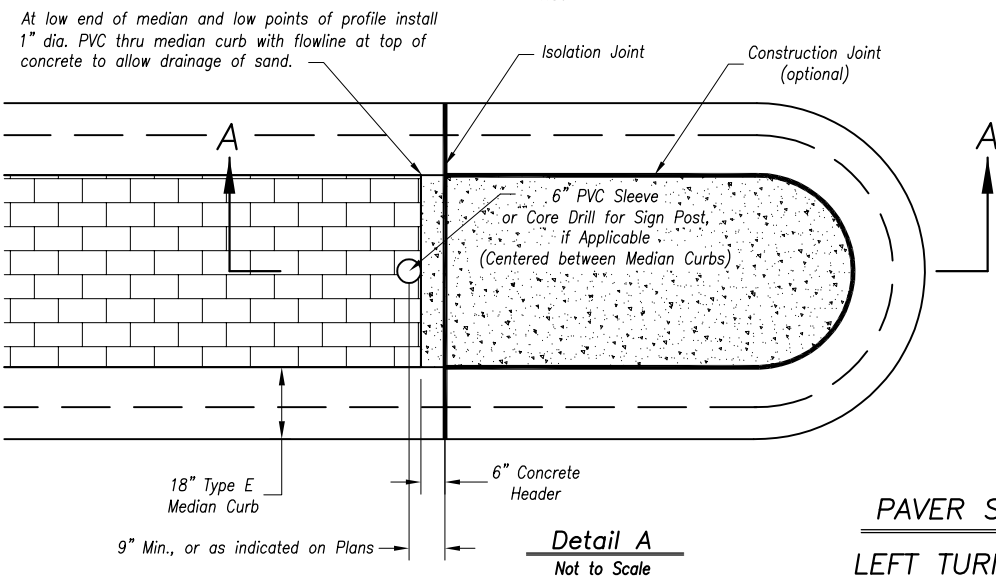


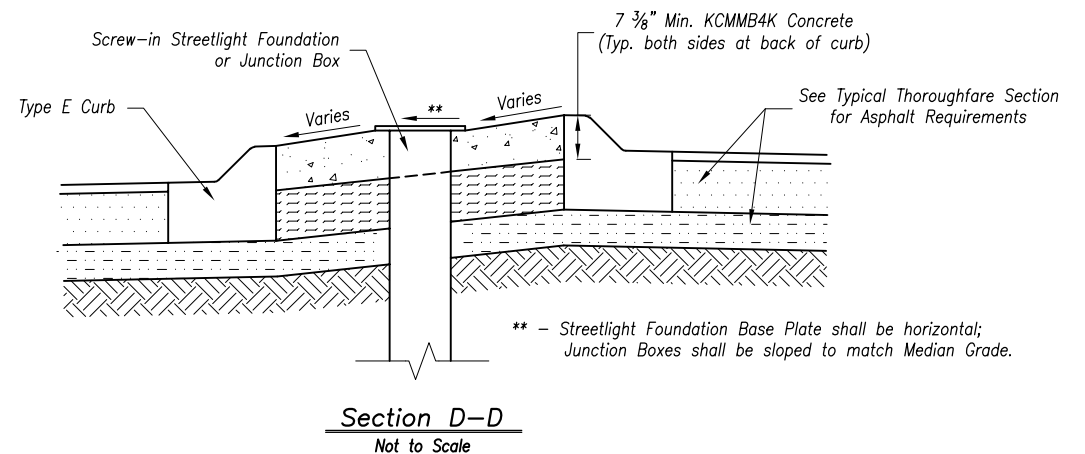
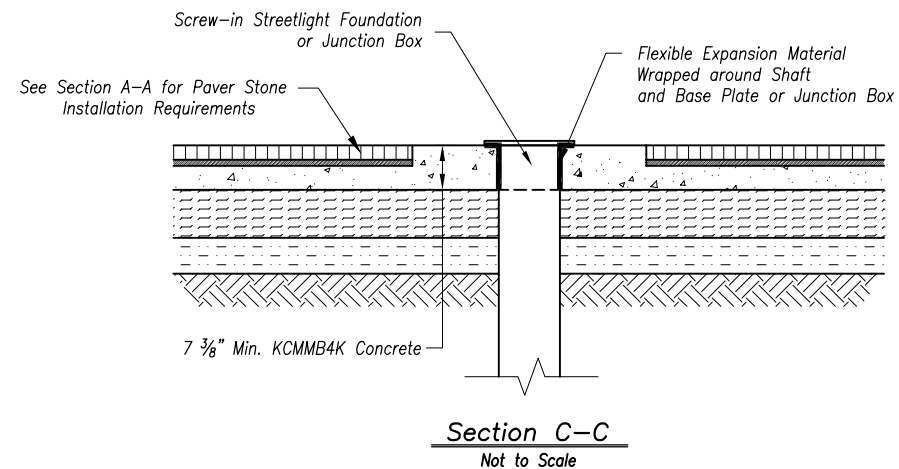
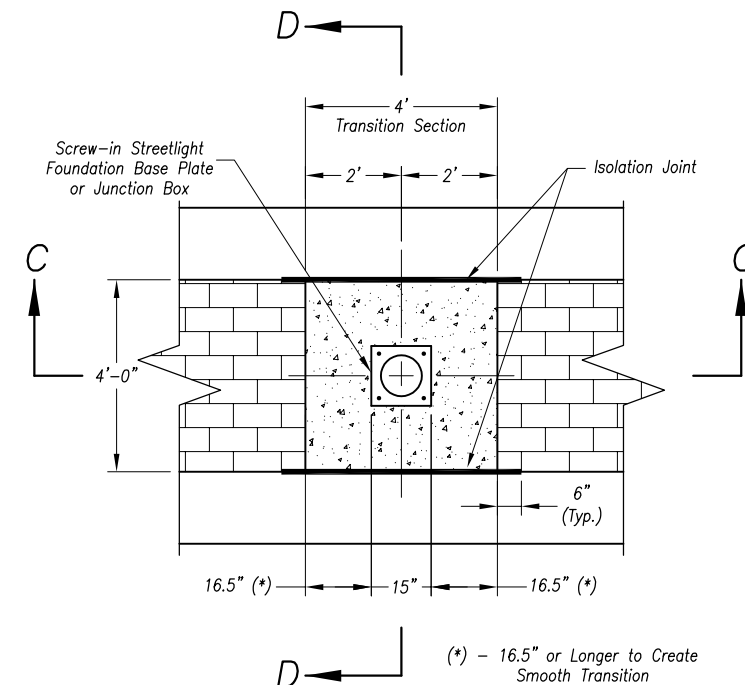
Concrete Paver Stone and Concrete Header Detail



Concrete Paver Stones Notes:

- Interlocking concrete paver stones shall meet the requirements of ASTM Designation C936.
- Paver stones shall be red, cobblestone style consisting of the following nominal sizes:
full stones - 4 5/8"x7"x2 3/8";
two thirds stones - 4 5/8"x4 5/8"x2 3/8";
one third stones - 4 5/8"x2 5/16"x2 3/8".
The mix of stone sizes shall be approximately 28% full size, 57% two thirds size and 15% one third size.
- Paver stones shall be installed in accordance with manufacturer's recommendations.
- Geotextile fabric shall be placed between paver stones and curb or paver stones and concrete header to keep sand in place.
- A 6" PVC sleeve or 6" core drilled hole shall be installed completely through the full depth of pavement to the top of subgrade in all concrete, asphalt, or paver stone medians or islands for sign posts.
- See Approved Materials List for pre-approved products.

**PAVER STONE DETAILS
LEFT TURN BAY ISLANDS**



**STREETLIGHT/JUNCTION BOX
INSTALLATION
IN PAVER STONE MEDIAN (*)**

* - Paver Stone refer to as Paver Brick in Standard Specification for Permanent Traffic Control Signing

REVISIONS:	
07/01/03	Concrete Mix Designation;
Jan. 2008	Miscellaneous;
Feb. 2008	PVC Sleeve Location;
Jan. 2011	Median Curb; Street Light Installation Detail;
RELATED ORDINANCES:	
OPMC Title 13	

Year 2019 Edition

OVERLAND PARK
KANSAS

ABOVE AND BEYOND. BY DESIGN.

DEPARTMENT OF PUBLIC WORKS
STANDARD DETAILS

THOROUGHFARE
PAVER STONE MEDIAN DETAILS