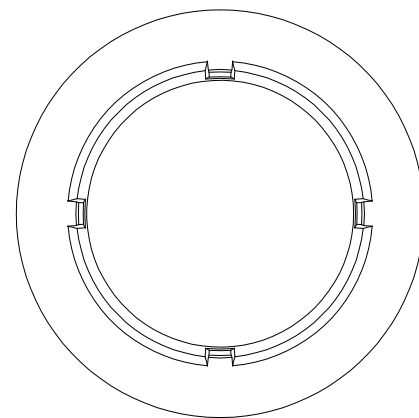
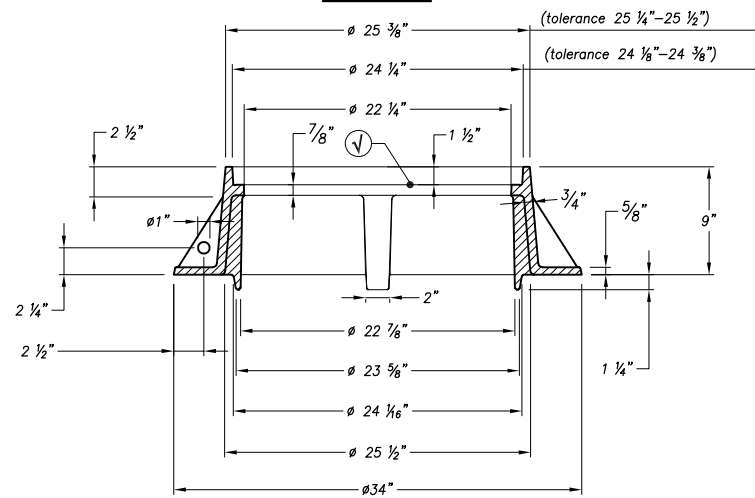


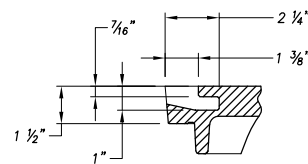
Top View



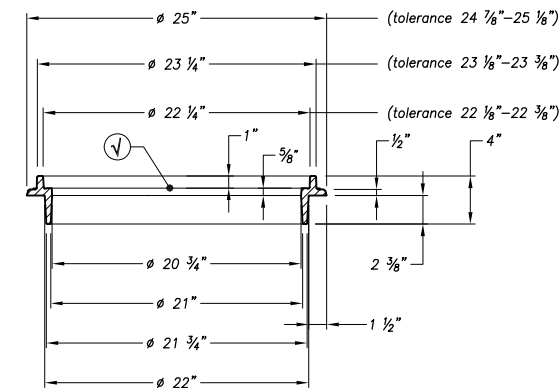
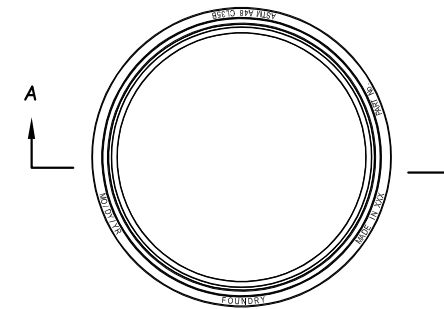
Bottom View



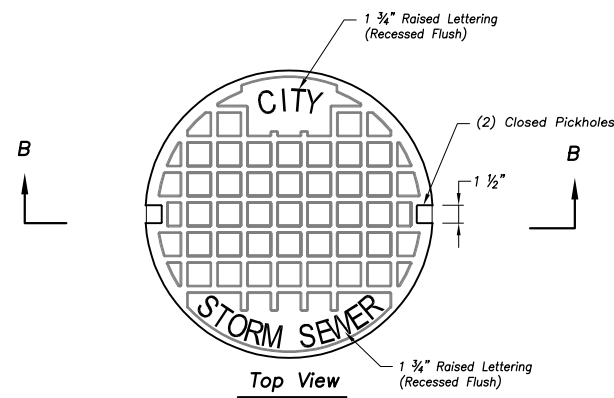
A - A



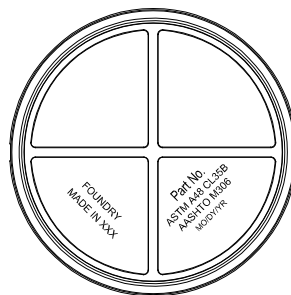
Pickhole Detail



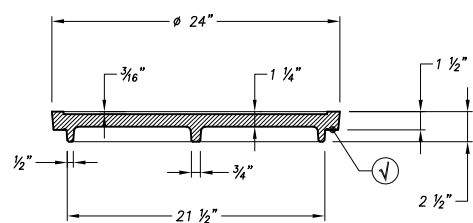
A - A



Top View



Bottom View



B - B

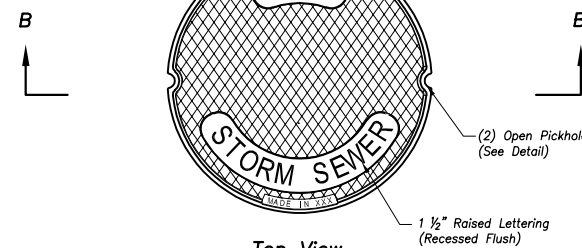
**Heavy Duty Frame & Cover**  
See Approved Materials List  
for pre-approved frames and covers

**WEIGHT**  
Cover 161 lbs. (±8 lbs.)  
Frame 234 lbs. (±11.75 lbs.)

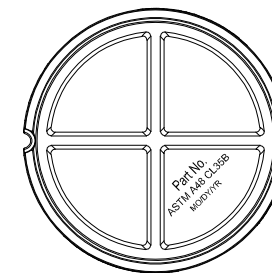
**MANHOLE FRAME & COVER**

(Public Systems Only)

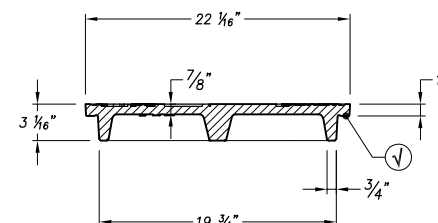
Not to Scale



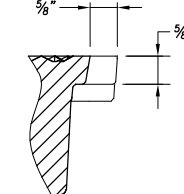
Top View



Bottom View



B - B



Pickhole Detail

**WEIGHT**  
Cover 134 lbs. (±6.75 lbs.)  
Frame 52 lbs. (±2.5 lbs.)

**Medium Duty Frame & Cover**

See Approved Materials List  
for pre-approved frames and covers

**Manhole Casting Notes:**

1. Casting shall comply with ASTM A-48 and AASHTO M306-04.
2. As-cast dimensions may vary ± 1/16 inch per foot.
3. Each Casting shall be marked in accordance with AASHTO M 306-04, Sec.9.
4. Raised surfaces shall be cast as non-skid finish.
5. The surfaces labeled on these details as (V) shall be machined.
6. For private systems omit lettering.
7. Paint is optional unless specified.
8. Year and/or date should be date of manufacture.

Year 2019 Edition

REVISIONS:	
07/01/03	Notes:
Feb. 2005	Tolerances:
Jan. 2006	New Standard:
RELATED ORDINANCES:	
OPMC Title 15	

**OVERLAND PARK**  
KANSAS

ABOVE AND BEYOND. BY DESIGN.

DEPARTMENT OF PUBLIC WORKS  
STANDARD DETAILS

**MANHOLE CASTING DETAILS**

DATE: 09/28/99 SHEET: 26