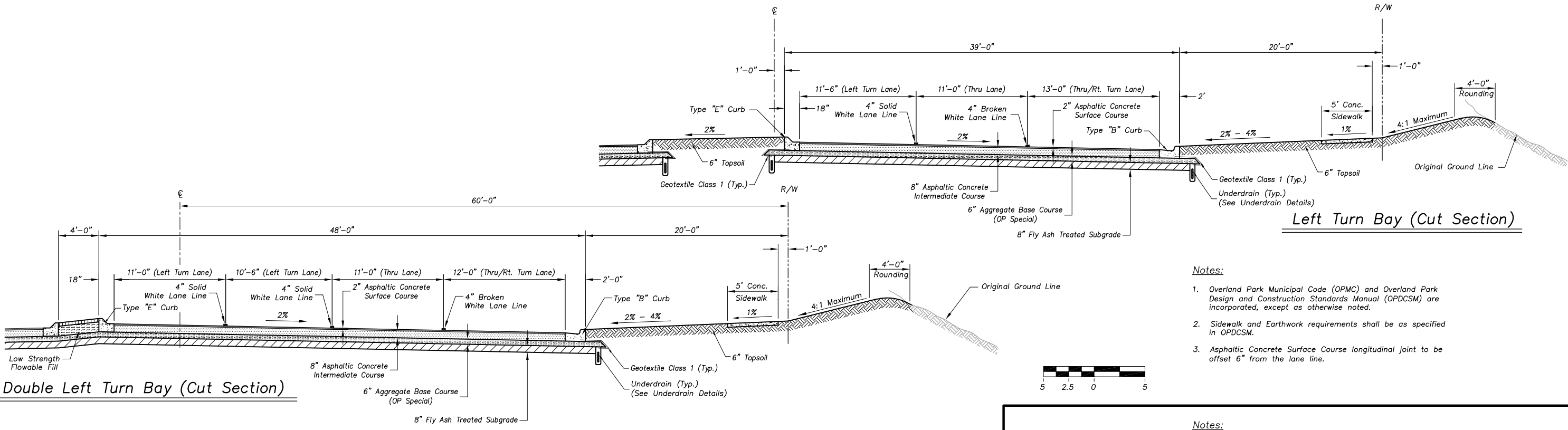


Typical 80' Roadway Section



Double Left Turn Bay (Cut Section)

Left & Right Turn Bay (Cut Section)

- Notes:**
- Overland Park Municipal Code (OPMC) and Overland Park Design and Construction Standards Manual (OPDCSM) are incorporated, except as otherwise noted.
 - Sidewalk and Earthwork requirements shall be as specified in OPDCSM.
 - Asphaltic Concrete Surface Course longitudinal joint to be offset 6" from the lane line.

REVISIONS:

Jan. 2004	ADA Compliance
Jan. 2006	Miscellaneous
Feb. 2008	OPMC Reference
Jan. 2011	Median Curb

RELATED ORDINANCES:

OPMC Title 13
OPMC Title 18

Year 2019 Edition

OVERLAND PARK
KANSAS

ABOVE AND BEYOND. BY DESIGN.

DEPARTMENT OF PUBLIC WORKS
STANDARD DETAILS

ASPHALT THOROUGHFARE SECTION